

# mdf italia



© COPYRIGHT 2019 MDF ITALIA SRL SOCIETA' UNIPERSONALE

2017

## AXY

Designed by Claudio Bellini

Lightness combined with dynamic perception of suspension is the theme developed by the design of the new table system Axy. A basic architecture in which the original design of the two structural bridges, entirely made of aluminium, recomposes the tensions and strength lines with expressive efficacy.

A thin top completes the table, conveying an overall aerial impression underpinned by reassuring stability.

Available in various configurations, including the extendable version, with a wide choice of materials and finishes Axy naturally adapts to a broad range of interpretations both for indoor and outdoor use, from the dining-table to the working desk.

Rectangular tables available in 20 sizes and various depths, height 73cm, in the types and configurations:

- Fix: AXY and AXY COMFORT
- Extendable: AXY EXTENSION.

## FRAME

AXY and AXY COMFORT: fixed bearing frame made of extruded aluminium painted in matt graphite grey.

AXY EXTENSION: bearing frame and extension mechanism produced in oxidised black extruded aluminium, running on castors with ball bearings and lateral extraction of the bridge.

Open and close lock with two levers placed on under top guides.

Storage compartment of extension tops in aluminium painted in matt graphite grey, fitted with a small non-scratch carpet.

## TOPS

Tops are available in the materials: Fenix, oak, calce, pietra di Savoia and aluminium. Thickness 12 mm. Fixed versions with CALCE, PIETRA DI SAVOIA and ALLUMINIUM tops are also suitable for outdoor use. EXTENSION versions are only available in the finishes FENIX and OAK.

## EXTENSIONS

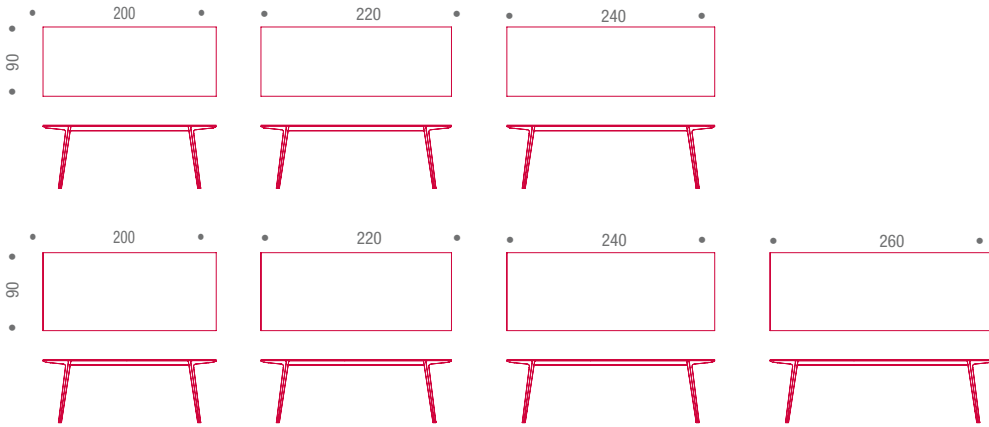
The flexible features of AXY EXTENSION are underscored by the presence of two extensions, 50cm each, placed on the frame's guides. Extensions can be produced with either one or two elements. The nominal length of the table can be increased from 50 to 100cm, based on client requirements.

## ACCESSORIES

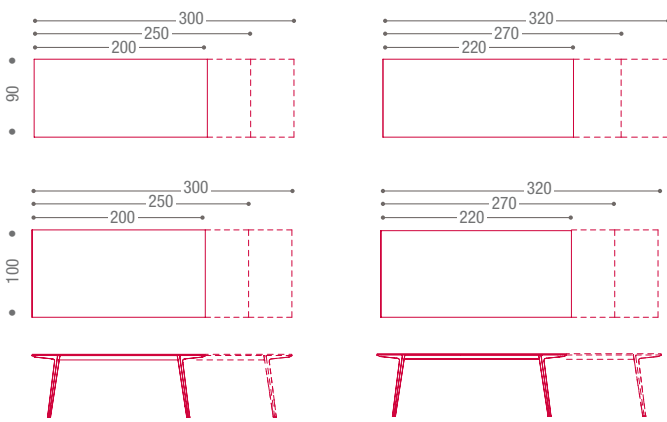
The tables, in the version AXY COMFORT D120 L240/260/280/300/340/400 with tops in FENIX, WOOD and ALUMINIUM, are available in the version with electrified profile. A series of adaptors with different types of sockets and functions can be hooked to the electrified profile. Steel spring to be inserted into specific holes prepared in the lower part of the electrified raceway to collect the cables.

Finish: painted matt black.

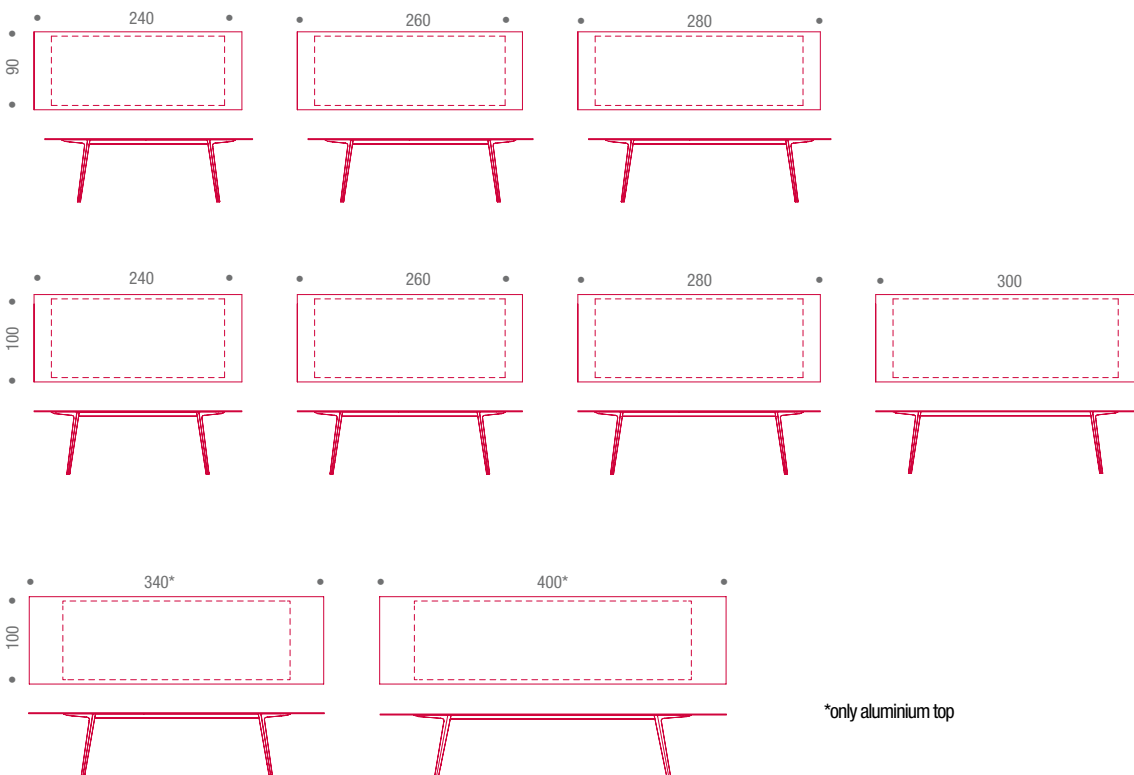
**AXY**



**AXY EXTENSION**

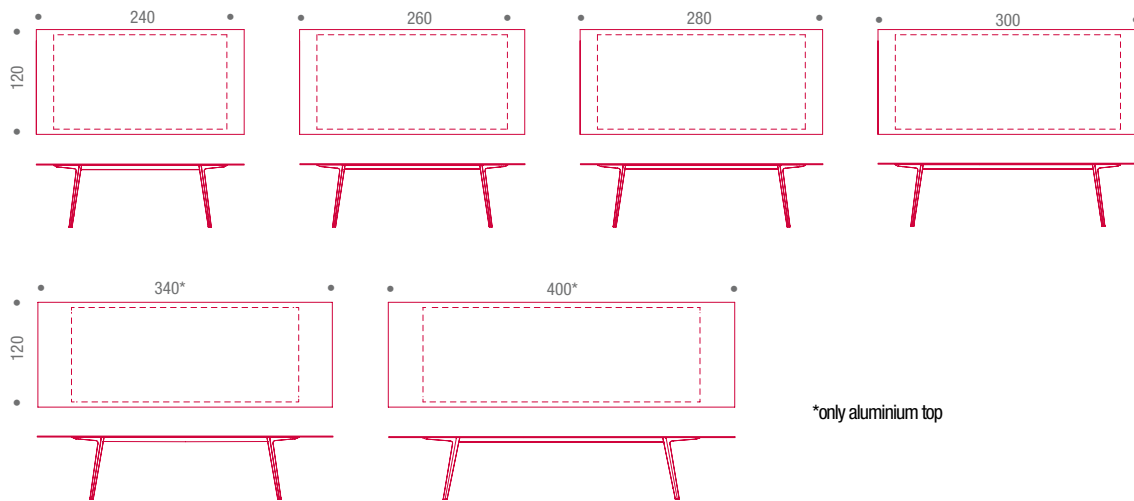


**AXY COMFORT**

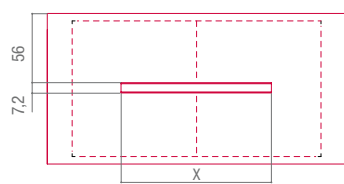
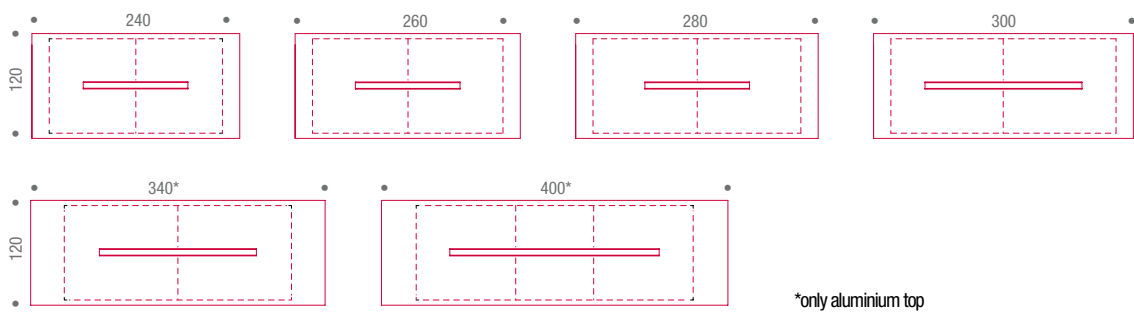


\*only aluminium top

**AXY COMFORT 120**



**AXY COMFORT 120 WITH ELECTRIFIED PROFILE**



**Dimensioning of raceways to collect the cables, single version (X):**

L240,260,280 = 120 cm

L300,340 = 180 cm

L400 = 240 cm

# Finishing

The number in the dot corresponds to the number of colour/material finish.

Here below, in the section FINISH OPTIONS, please note all the colours of the materials used for this product.

## TABLE

---

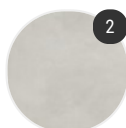
### Top



Fenix



Oak



Calce



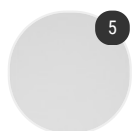
Stone



Aluminium

---

### Structure



Matt painted

# Finish options

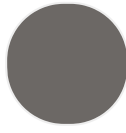
## TOP

---

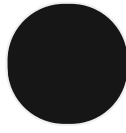
### Fenix



Fenix matt  
white X020



Fenix matt  
medium grey  
X021



Fenix matt  
black X022

### Oak



Light oak  
X095



Mocha oak  
X096



Anthracite  
oak X097

### Calce



Light grey  
calce



Black calce

### Stone



Medium grey  
pietra di  
Savoia

### Aluminium

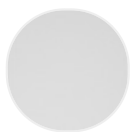


Black  
aluminium  
X110

# STRUCTURE

---

## Matt painted



Matt painted  
white X053



Matt painted  
graphite grey  
X054



matt titanium  
paint X099



matt bronze  
paint X100



matt black  
nickel paint  
X101